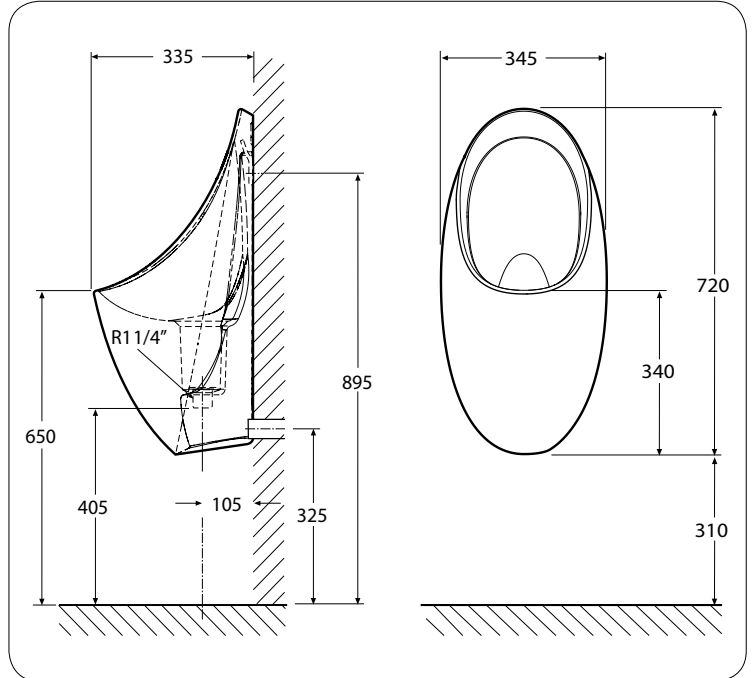
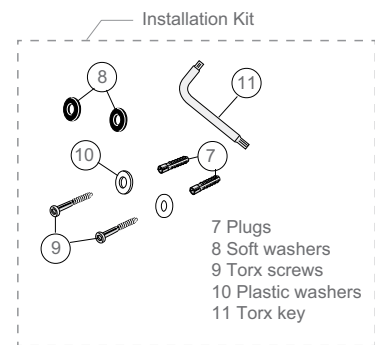
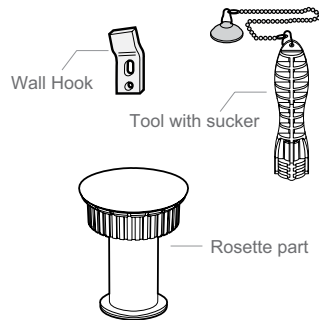
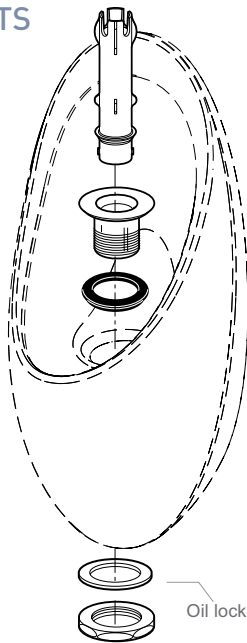


# Ifo CERO WATERLESS URINAL

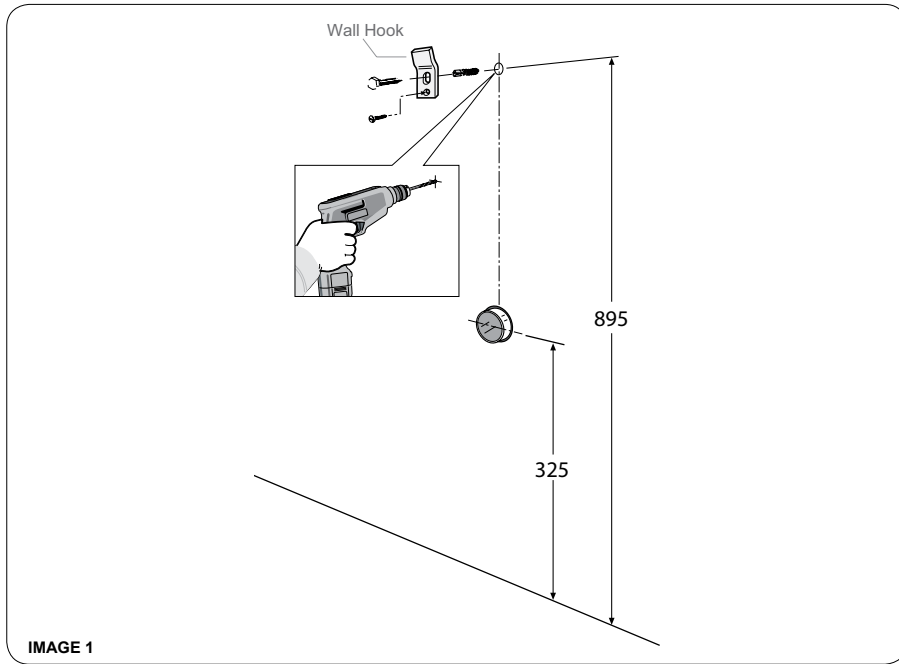
## Installation & Maintenance Instructions



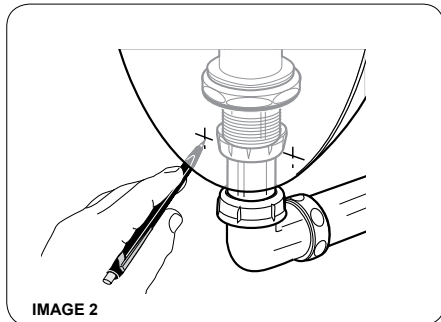
### SPARE PARTS



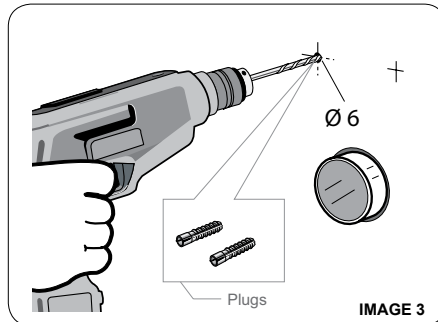
# MOUNTING INSTRUCTIONS



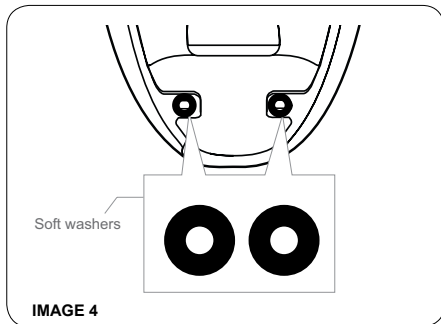
1. Prepare rough in positions for wall hook and outlet. **SEE IMAGE 1.**



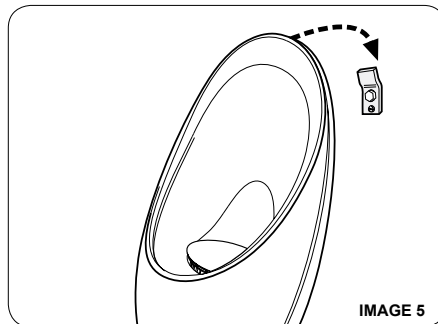
2. Pencil mark screw wall fixing. **SEE IMAGE 2.**



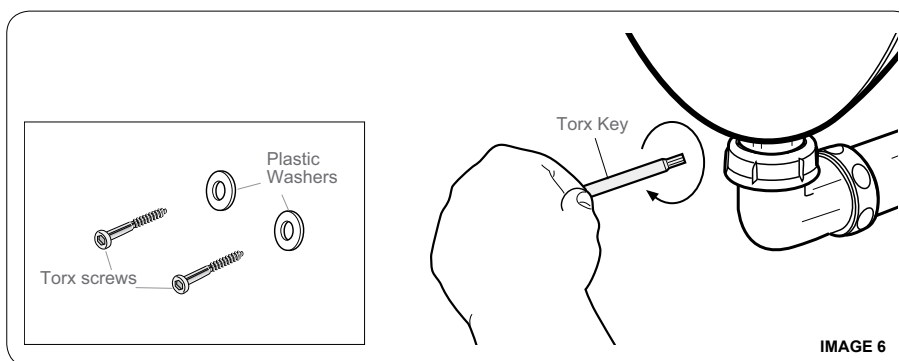
3. Pre-drill screw wall fixing points and add wall plugs. **SEE IMAGE 3.**



4. Insert soft washers into urinal wall fixing screw holes. **SEE IMAGE 4.**

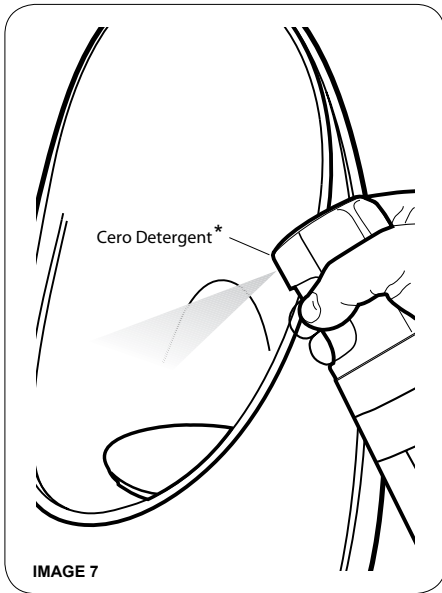


5. Lift urinal bowl onto wall hook and into waste outlet. **SEE IMAGE 5**

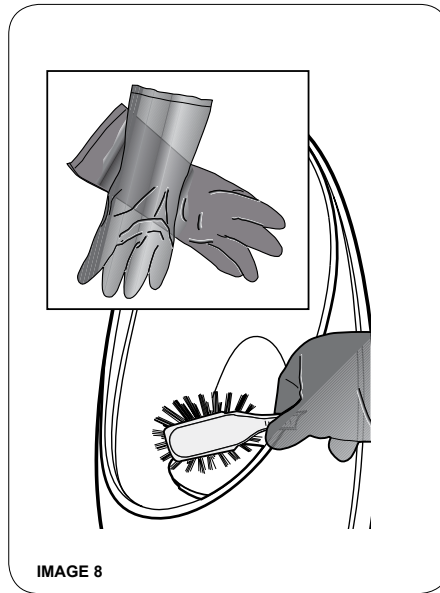


6. Fix torx screws to ensure the urinal is firmly fixed to the wall. **SEE IMAGE 6**

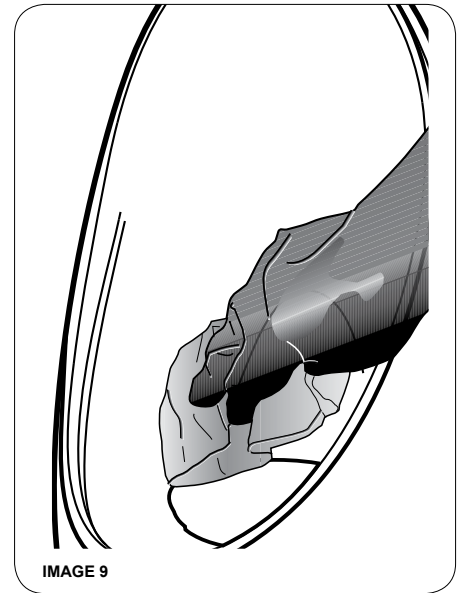
## CLEANING INSTRUCTIONS - Daily



1. Spray urinal with CERO DETERGENT\* daily to ensure a sanitized and clean fixture **SEE IMAGE 7**



2. Wearing protective gloves scrub the urinal surface immediately after the Cero Detergent has been applied. **SEE IMAGE 8**

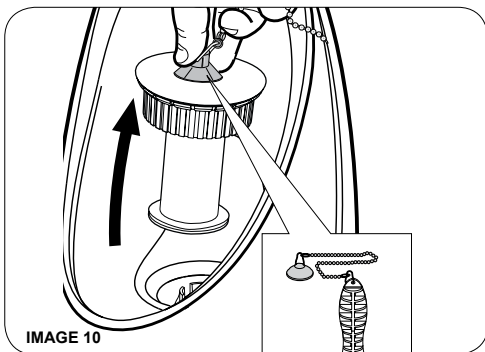


3. Wipe the surface off with a cloth. **SEE IMAGE 9**

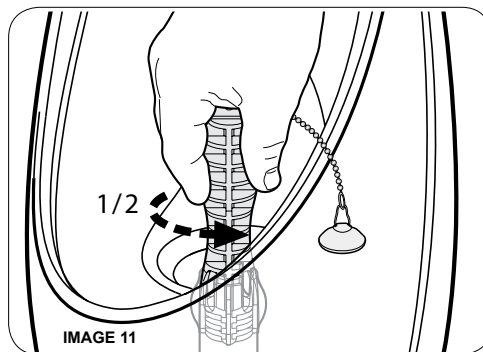
NOTE: Do not rinse the area with water as water can cause build up of urine crystallization within the urinal & pipes.

\* CERO DETERGENT Product Code IFO91864

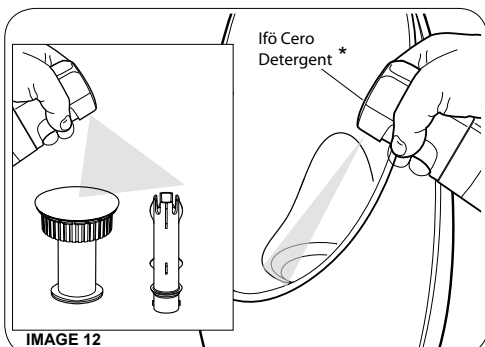
## OIL CHANGE - Monthly



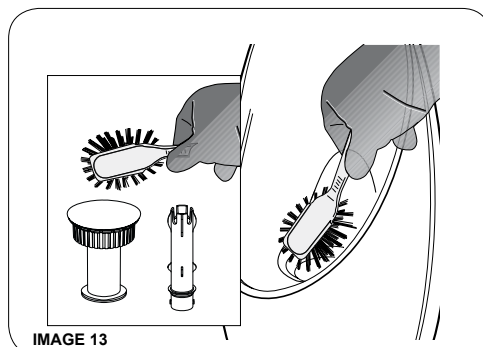
1. Lift out the urinal rosette. **SEE IMAGE 10**



2. Turn the urinal inner rod anti clock wise half a turn and pull it out of the urinal. **SEE IMAGE 11**



3. Spray and soak the parts (urinal rosette and inner rod) as well as the cavity of the urinal bowl with Cero Detergent\* **SEE IMAGE 12**

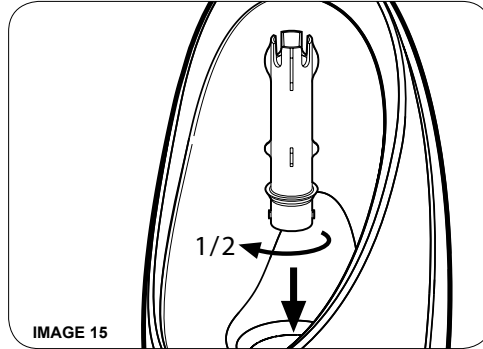
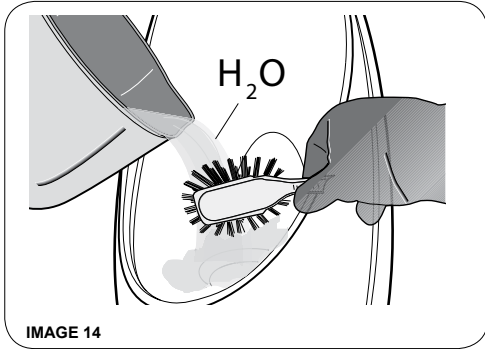


4. Scrub the parts (urinal rosette and inner rod) as well as the cavity of the urinal bowl **SEE IMAGE 13**

**CONTINUED OVER PAGE ...**

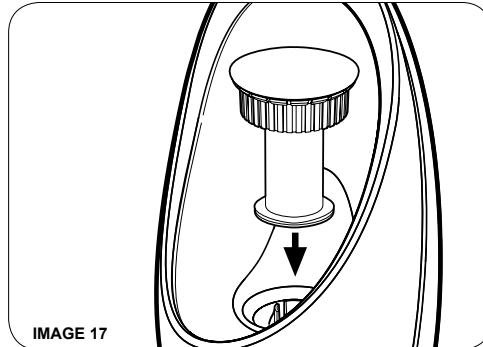
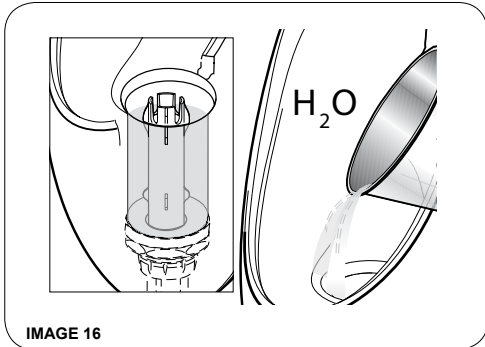
\* CERO DETERGENT Product Code IFO91864

# OIL CHANGE - Monthly



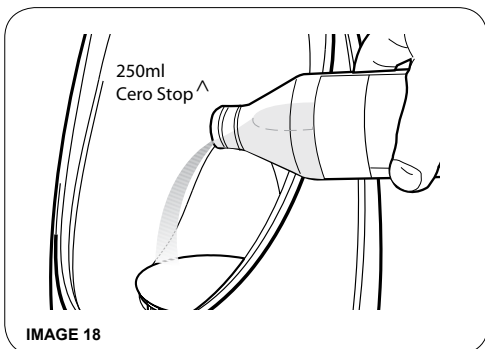
5. Thoroughly rinse and scrub the cavity of the urinal bowl. **SEE IMAGE 14**

6. Insert the urinal inner rod into the urinal cavity. Twisting it half a turn to seal the cavity area. **SEE IMAGE 15**



7. Fill the cavity up to the overflow point of the urinal inner rod with water. **SEE IMAGE 16**

8. Insert the urinal rosette over the inner rod. **SEE IMAGE 17**



9. Pour 250 ml of IFO Cero Stop oil <sup>^</sup> into the urinal bowl and wait for the oil to fill the urinal cavity.

Once the oil has filled the cavity the urinal is ready for another 5000 uses or 1 month of use. **SEE IMAGE 18**

<sup>^</sup> CERO STOP OIL Product Code IFO91862

# Ifo - Cero Waterless Urinal

IF04125

Waterless urinal with an environmentally friendly oil is used as a water trap. Installation does not need any water or electrical connections.

## FEATURES

- Made of vitreous china
- Waterless with an environmentally friendly oil is used as a water trap
- Quick & easy installation using plastic or brass tubing NOT copper in line with AS/NZS3500.2
- Sits on supplied wall hook
- Trap adaptor plus cap & lining elbow included
- Oil is advised to be replaced monthly or after 5000 uses
- Service is available by Rentokil, Initial or Pink

## Product Code

**IF04125** Cero Waterless Urinal including starter kit



## OPTIONS

Cero stop oil 6 x 250ml bottles **IFO91862**

Cero detergent 6 x 500ml bottles **IFO91864**

## SPARE PARTS

Rosette Part	<b>IFO96510</b>
Oil Lock	<b>IFO96512</b>
Tool With Sucker	<b>IFO96511</b>



**WaterMark**

ATS 5200.459  
WMKT 22116  
IAPMO R&T



**DNV**

Certificate Nr. 2004-SKM-AE-825  
ISO 14001:2004  
Certificate Nr. 2004-SKM-AQ-2054  
ISO 9001:2000